

Wausau Equipment Company, Inc.  
1905 South Moorland Road, New Berlin, WI 53151-2321 USA  
Phone: 262-784-6066 800-788-6066 Fax: 262-784-6720  
Web Site: [www.wausau-everest.com](http://www.wausau-everest.com) Email: [sales@ausau-everest.com](mailto:sales@ausau-everest.com)

---

# WAUSAU MODEL AT SNOW PLOW

---

## MAINTENANCE AND PARTS MANUAL



ORIGINAL ISSUE  
REV —  
OCTOBER 26, 2007

## Revision History

Rev	By	Approved	Date	Revision Summary
—	JRJ	AF	October 26, 2007	Initial issue.

# Table of Contents

SAFETY NOTES and WARNINGS.....	v
Avoid Accidents .....	v
Illustrations.....	vi
Personal Safety .....	vi
Operation safety .....	vi
Service.....	viii
DRIVING SAFETY .....	ix
UNITS INVOLVED IN ACCIDENTS.....	ix
1. INTRODUCTION .....	1
2. SERVICE PROCEDURES.....	1
2.1 Initial.....	1
2.2 Eight to Ten Hours .....	1
2.3 Annual.....	1
3. PLOW STORAGE.....	2
4. FLUIDS/LUBRICANTS .....	2
4.1 Grease Points .....	3
4.1.1 Caster Assembly Grease Points .....	3
4.1.2 Mushroom Shoe Grease Points .....	4
5. PARTS.....	5
HOW TO USE THIS MANUAL.....	7
PAGE NUMBER .....	7
LOCATING MATERIAL IN THIS MANUAL.....	7
HOW TO USE THIS ILLUSTRATED PARTS CATALOG .....	8
ACRONYMS AND ABBREVIATIONS.....	10
5.1 Hitches, Plow Half .....	12
5.1.1 Pin On Hitch, Plow Half .....	12
5.1.2 TQC Hitch, Plow Half .....	13
5.1.3 Tor-Lok, Pin on Style w/Standard Oscillating Beam .....	15
5.1.4 Flink Oscillating Weldment.....	16
5.2 Moldboard Assemblies.....	17
5.2.1 Rubber Deflectors .....	18
5.3 Push/Reversing Frame .....	19
5.4 Hydraulic Cylinder .....	20
5.5 Trip Spring Assembly .....	21
5.6 Hydraulic Line Kit .....	22
5.7 Level Lift Kit, 2-Chain .....	23
5.8 Curb Shoes .....	25

This document and all information and expression contained herein are the property of Wausau Equipment Company, Inc. It may not be used, duplicated, or disclosed for any purpose without prior written permission of Wausau Equipment Company, Inc. All rights reserved.

5.9	Caster Wheel .....	26
5.9.1	Caster Wheel/Mushroom Shoe Mounting Kit .....	28
6.	WARRANTY POLICY .....	30
6.1	Section 1 - Definition of Warranty Policy .....	30
6.2	Section 2 - Coverage .....	30
6.3	Section 3 – Obligations of Wausau Equipment Company, Inc. ....	30
6.4	Section 4 - Procedures for Filing Warranty Claims .....	30
6.5	Section 5 - Other .....	31

**List of Figures**

Figure 1.	8" Caster Assembly Grease Points.....	3
Figure 2.	Mushroom Shoe Grease Points.....	4
Figure 3.	TQC Hitch, Plow Half.....	13
Figure 4.	Tor-Lok, Pin on Style w/Standard Oscillating Beam .....	15
Figure 5.	Flink Oscillating Weldment .....	16
Figure 6.	Moldboard Assemblies .....	17
Figure 7.	Push/Reversing Frame .....	19
Figure 8.	Hydraulic Cylinder. DA.....	20
Figure 9.	Trip Spring Assembly.....	21
Figure 10.	Hydraulic Line Kit.....	22
Figure 11.	Level Lift Kit, 2-Chain.....	23
Figure 12.	Curb Shoe.....	25
Figure 13.	Caster Wheel.....	26
Figure 14.	Caster Wheel/Mushroom Shoe Mounting Kit.....	28

**List of Tables**

Table 1.	Fluids and Lubricants.....	2
Table 2.	Customer Parts Order Form .....	6
Table 3.	Torque Specification Chart .....	8

## SAFETY NOTES AND WARNINGS

NOTE: Appropriate maintenance methods and operation procedures are required for safe, reliable operation of the unit as well as for the safety of operators and servicing technicians.

This manual provides general and specific directions for the operation of the Wausau Equipment Company, Model AT Plow.

### AVOID ACCIDENTS

Most accidents, whether they occur in industry, on the farm, at home, or on the highway, are caused by the failure of some individual to follow simple and fundamental safety rules or precautions. For this reason, recognizing the real cause and doing something about it before the accident occurs can prevent most accidents.

Regardless of the care used in the design and construction of any type of equipment, there are many conditions that cannot be completely safe-guarded against without interfering with reasonable accessibility and efficient operation.

A careful operator is the best insurance against an accident. The complete observance of one simple rule would prevent many thousand serious injuries each year. That rule is:

**NEVER ATTEMPT TO CLEAN, OIL, OR ADJUST A MACHINE WHILE IT IS IN MOTION.**

#### NATIONAL SAFETY COUNCIL

Wausau Equipment Company, Inc. cannot anticipate every possible circumstance that might involve a potential hazard. Anyone deviating from the instructions provided must first establish that personal safety, system, and/or vehicle integrity is not compromised. Throughout this manual, Dangers, Warnings, Cautions, and Notes provide specific guidelines for the safe and proper operation and service of the equipment.

- **DANGER**: Indicates an imminently hazardous situation, which, if not avoided, **WILL** result in death or serious injury.
- **WARNING**: Indicates a potentially hazardous situation, which, if not avoided, **COULD** result death or serious injury.
- **CAUTION**: Indicates a potentially hazardous situation, which, if not avoided, **MAY** result in minor or moderate injury and property damage. It may also be used to alert against unsafe practices.
- **NOTE**: Highlights information that is beneficial while following a procedure or to avoid an unwanted situation.

This information is furnished to prevent damage to equipment and/or injury to personnel. Be fully aware of the dangers inherent to heavy equipment operation and snow removal.

## ILLUSTRATIONS

For pictorial clarity, some illustrations in this manual may show shields, guards, or plates open or removed. Under no circumstance should this equipment be operated without these devices securely fastened in place.

## PERSONAL SAFETY

- Keep clothing and limbs away from moving parts.

## OPERATION SAFETY

### **WARNING**

*Equipment operated improperly or by untrained personnel can be dangerous. Familiarize yourself with the location and proper use of all controls. Inexperienced operators should receive instruction from someone familiar with the equipment before being allowed to operate the machine.*

- Safety is dependent upon the awareness, concern, and prudence of those who operate or service the equipment. Never allow minors to operate any equipment.
- Read and understand all operating manuals pertaining to operation. It is your responsibility to read this manual and all publications associated with this equipment (engine manual, accessories, and attachments). If the operator cannot read English, it is the owner's responsibility to explain the material contained in this manual to them.
- Learn the proper use of the machine, the location and purpose of all the controls and gauges before you operate the equipment. Working with unfamiliar equipment can lead to accidents. Familiarize yourself with the driving and handling of the machine before actually plowing snow. Practice plowing in a non-congested area before on-the-job operations.
- Never allow anyone to operate or service the machine or its attachments without proper training and instructions; or while under the influence of alcohol or drugs. Never work on the machine with components running.
- Wear all the necessary protective clothing and personal safety devices to protect your head, eyes, ears, hands, and feet. Operate the machine only in daylight or in good artificial light.
- Inspect the area where the equipment will be used. Beware of overhead obstructions (low tree limbs, etc.) and underground obstacles. Enter a new area cautiously. Stay alert for hidden hazards.
- Never direct discharge of debris toward bystanders, nor allow anyone near the machine while in operation. The owner/operator can prevent and is responsible for injuries inflicted to themselves, bystanders, and damage to property.
- Never operate equipment that is not in perfect working order or is without decals, guards, shields, discharge deflectors, or other protective devices securely fastened in place.
- Never disconnect or bypass any switch.
- Carbon monoxide in the exhaust fumes can be fatal when inhaled. Never operate the engine without proper ventilation.

- Fuel is highly flammable, handle with care.
- Keep the engine clean. Allow the engine to cool before storing and always remove the ignition key.
- Always engage parking brake when leaving machine. Always disengage components when leaving the machine.
- Equipment must comply with the latest federal, state, and local requirements when driven or transported on public roads. Check to be certain all lights are functioning, i.e. turn signal, brake lights, head lights, flasher, etc. Check to be certain back up alarm is working.
- Never use your hands to search for oil leaks. Hydraulic fluid under pressure can penetrate the skin and cause serious injury.
- To prevent tipping or loss of control, do not start or stop suddenly; reduce speed when making sharp turns. Use caution when changing direction on slopes.
- Keep legs, arms and body inside the seating compartment while the vehicle is in motion. Always wear seat belts.
- Clean all glass areas (windows and mirrors) for better visibility. Remember to adjust mirrors when you switch seats.
- Never work under machinery without using approved safety supports.
- Use caution when removing objects such as wire, rope, cable, etc.
- Always use extreme caution when backing up.

## SERVICE

- Never attempt to clear obstructions or work in plow area while the unit is running. Always stop engine with ignition key off.
- Always disconnect battery when:
  - Installing new equipment
  - Connecting or disconnecting electrical components
  - Welding
- Do not use damaged or broken parts
- Use only authorized parts and components
- Do not use unapproved lubricants/fluids
- Cover all exposed openings when removing parts or hoses
- Do not attempt to remove or disassemble components under pressure (e.g. hydraulic system, engine)
- A variety of **CAUTION** and **WARNING** labels are located in the cab and on the machine. Operators and service technicians must heed these notices for personal safety and operation.

### **CAUTION**

*If a problem occurs, make repairs immediately. Do not continue to operate machine.*

By following all instructions in this manual, you will prolong the life of your machine and maintain its maximum efficiency. Adjustments and maintenance should always be performed by a qualified technician. If additional information or service is needed, contact your Wausau Equipment Company, Inc. authorized WAUSAU™ dealer who is kept informed of the latest methods to service this equipment and can provide prompt and efficient service.



## DRIVING SAFETY

Observe the following warning to insure maximum performance, avoid equipment damage, and prevent serious personal injury or death.

### **WARNING**

*Adding equipment to a vehicle will alter the handling and performance characteristics of the carrier vehicle. These changes may include, but are not limited to, steering, acceptable work and travel speeds, unit weight, center of gravity, fuel consumption, and vehicle wear and tear.*

*During the original installation, Wausau Equipment Company may install or modify additional equipment to support the plow. Any subsequent removal, replacement, or alteration of the unit can result in unpredictable operating characteristics that the Original Equipment Manufacturers of record may not support.*

- When working on this equipment for maintenance, adjustments, or hydraulic work, make sure equipment is lowered and resting on level ground.
- When equipment has to be raised to perform maintenance work, equipment such as blowers, plows, brooms, drive frames, etc. should be supported by a solid structure resting on level ground.
- When equipment is ready to be raised, lowered, or reversed, make sure to STAND CLEAR.
- It is the operator's responsibility to be familiar with the handling characteristics of the equipment and to discriminate between safe and unsafe practices based on these characteristics and on the environmental conditions at the time of operation.

## UNITS INVOLVED IN ACCIDENTS

If a machine is involved in an accident, inspect, and repair it before putting it back into service.

- Replace or repair any damaged parts and components
- Make sure that moving parts are not binding or otherwise restricted
- Make sure that attaching hardware is properly fastened and tightened
- Repair any fluid leaks and make sure the fluid levels are full

## 1. INTRODUCTION

The purpose of this manual is to provide the operator with the information necessary to safely operate this unit. Wausau Equipment Company strongly recommends that personnel thoroughly familiarize themselves with the operation and maintenance information contained in this manual.

The AT Plow features a spring adjustable trip moldboard to accommodate various cutting edges as well as road contours.

The AT Plows are available with flared ends and an overall height of 48 inches.

## 2. SERVICE PROCEDURES

### 2.1 Initial

- Check bolts for tightness. Torque loose bolts to the limits set forth in the torque specifications listed in this book
- Check that all pins are equipped with a keeper
- Adjust lifting devices or carrying devices for desired plow action
- Grease all fittings and exposed threads on adjusting screws
- Inspect all hydraulic hoses for possible chaffing or pinching
- Inspect all hydraulic fittings for signs of leakage
- Make sure both hydraulic quick coupler halves are free of contamination before coupling

### 2.2 Eight to Ten Hours

- Grease all fittings and coat adjusting rods with grease
- Spray lubricant on all pivot points on the plow, (i.e. moldboard pivot pins)
- Check all bolts for looseness or breakage
- Inspect hydraulic components for damage or leaks
- Replace cutting edge if worn within 1/2 to 3/8 inches from the moldboard
- Replace skid shoes if the average thickness is 1/4 inch
- Check hitch-locking mechanism to make sure plow is secure
- Inspect curb shoes for wear and replace if necessary

### 2.3 Annual

- Protect exposed cylinder rods with a thin film of grease during storage
- Cover all quick couplers with the appropriate plugs and caps
- Prime and paint all exposed metal surfaces
- Drain the hydraulic system and change the filter every 500 hours or annually

### 3. PLOW STORAGE

Before placing the plow in long-term storage, such as between seasons, perform the following operations:

- Wash and clean the machine to prevent dirt and corrosive material buildup
- Perform scheduled maintenance
- Place the plow in a stationary position on clean pavement surface or off the ground on cribbing, if possible.

### 4. FLUIDS/LUBRICANTS

**CAUTION**

*The use of unapproved alternate lubricants/fluids may cause serious damage and can void warranty.*

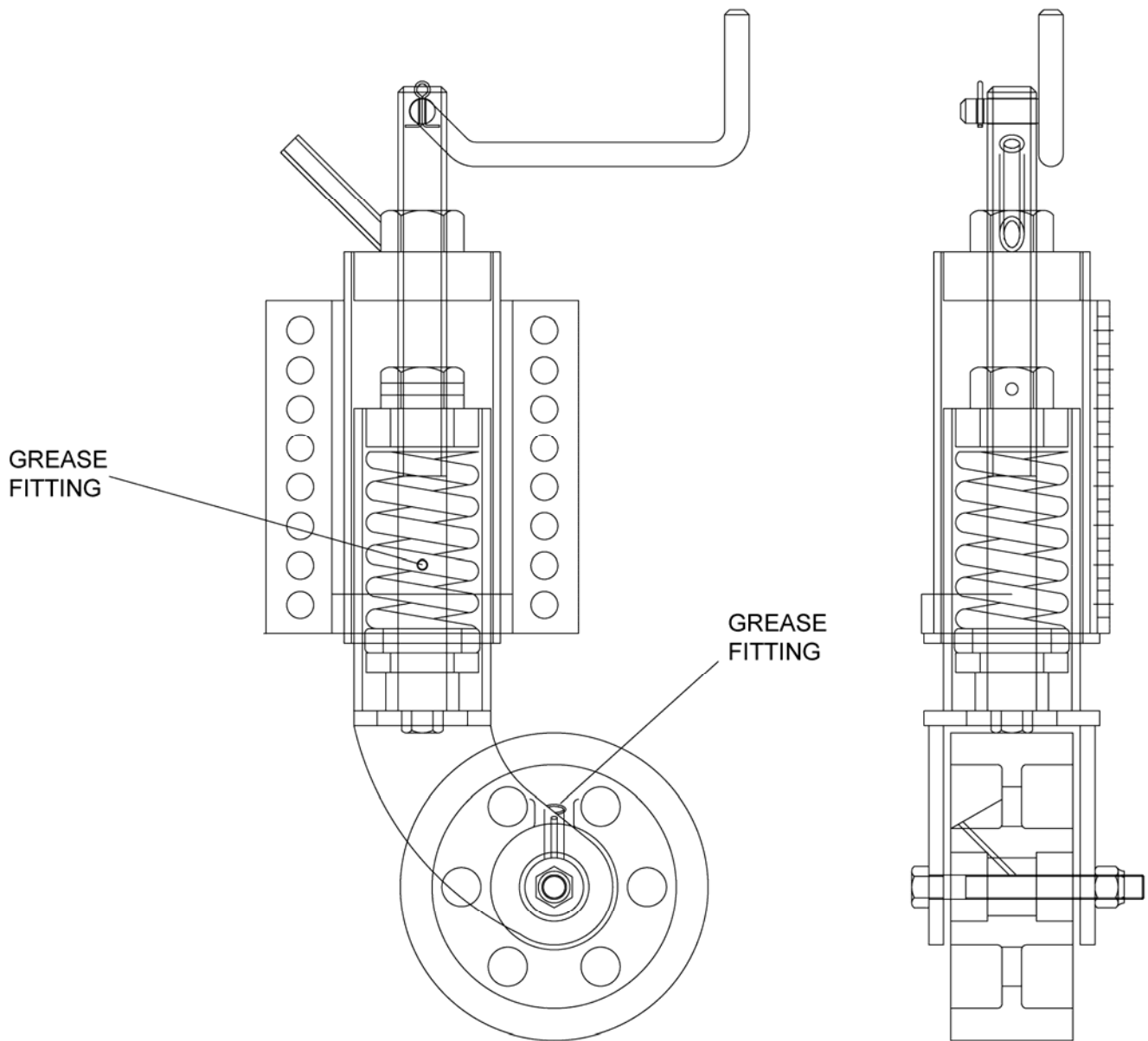
**Table 1. Fluids and Lubricants**

Description	Fluid	Qty
Hitch Pivots	Extreme Pressure Grease	AR
Caster Wheel	Extreme Pressure Grease	AR
Moldboard Pivots	Extreme Pressure Grease	AR

## 4.1 Grease Points

### 4.1.1 Caster Assembly Grease Points

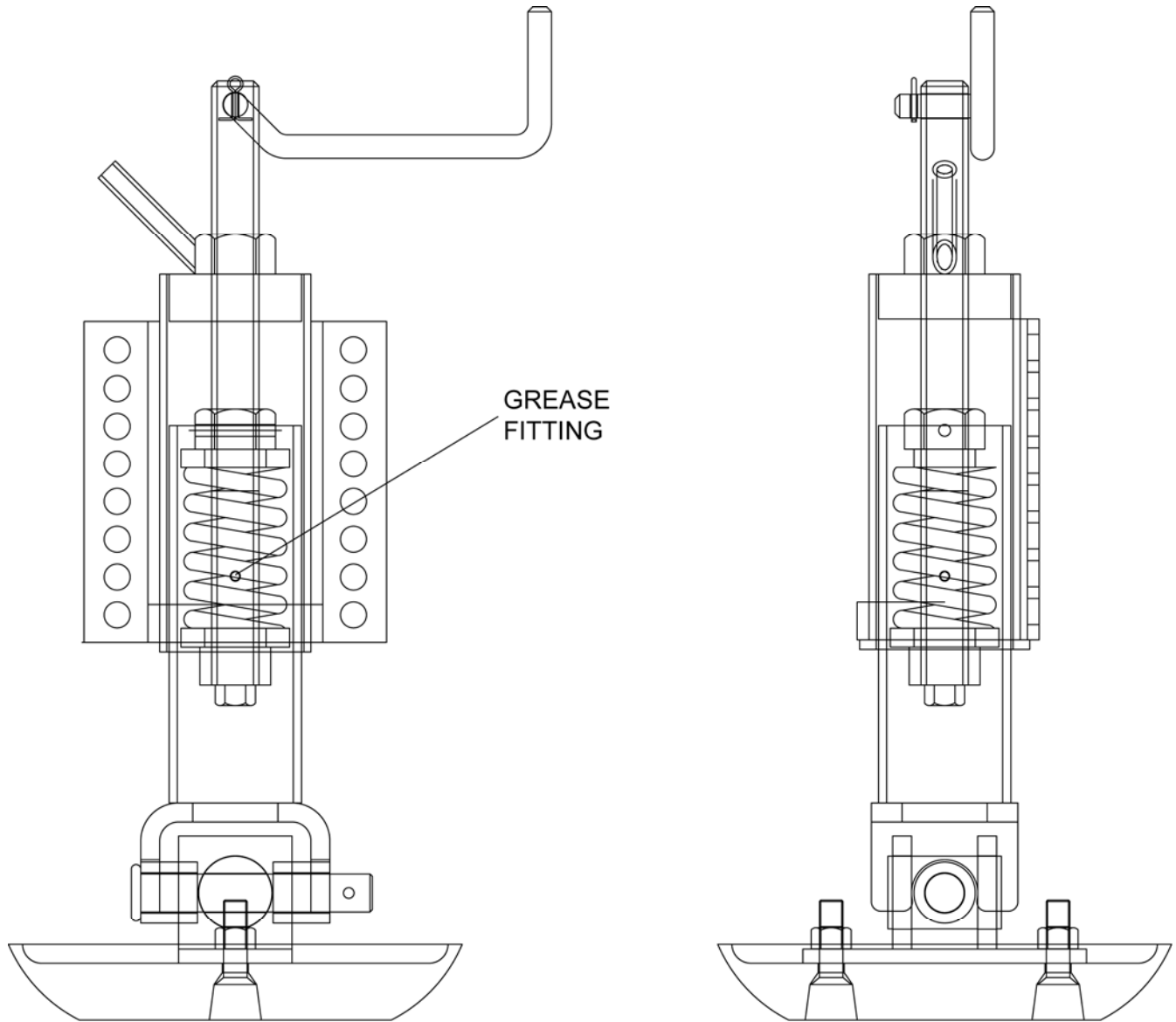
Figure 1. 8" Caster Assembly Grease Points



2A-00267\_GP  
03-22-1967  
Rev E

### 4.1.2 Mushroom Shoe Grease Points

Figure 2. Mushroom Shoe Grease Points



2A-00244\_GP  
07-31-1962  
Rev F

## 5. PARTS


### ORDERING PARTS

In order to serve you better, there are now *Three* ways to order parts:

- Phone
  - Direct Parts Line, Toll Free: 1-866-525-2162
  - Direct Parts Line, Local: 262-796-6100
- Fax
  - Copy or print the Customer Parts Order Form on Page 6
  - Completely fill in all information
  - Fax to: 262-784-1395
- Online
  - Go to [www.wausau-everest.com](http://www.wausau-everest.com)
  - Click on *CONTACT* from the pull down menu
  - Click on *PARTS & SERVICE*
  - Click on the *BUTTON*



to bring up the order form for *WAUSAU™*, *SNOGO®*, and *TYLER ICE™* brands.

- When you have completed filling out the form click on the  button.

## CUSTOMER PARTS ORDER FORM

Table 2. Customer Parts Order Form

<b>Customer Information:</b>		<b>Date:</b>
Customer Name:		
Customer/Account Number:		
Customer Contact:		
<b>Billing Information – Bill to Address:</b>		
Street		
City/State/Zip Code		
<b>Shipping Information – Ship to Address:</b>		
Street		
City/State/Zip Code		
<input type="checkbox"/> Check if same as Bill to Address and skip down to Shipping Options		
<b>Shipping Options</b>		
Ship Via:		
Pick Up		
<b>Payment Options:</b>		
<input type="checkbox"/> Quote for parts pricing only	<input type="checkbox"/> C.O.D.	
<input type="checkbox"/> Charge to account listed above	<input type="checkbox"/> Credit card	
<b>Parts Order:</b>		
Equipment Model Number:	Equipment Serial Number:	
Engine Model Number:	Engine Serial Number:	
1.		
2.		
3.		
4.		
5.		
6.		
7.		
8.		
9.		
10.		

## HOW TO USE THIS MANUAL

The documentation for the Wausau Equipment Company, Model AT Plow is organized by Volume, Section, Figure (or Subsection), and Page. Below is a brief description:

Volume	Section	Description
1 – Maintenance Manual	1	INTRODUCTION
	2	SERVICE PROCEDURES
	3	PLOW STORAGE
	4	FLUIDS/LUBRICANTS
2 – Parts Manual	5	PARTS
	Introduction	How to Use This Manual, Abbreviations, and General Information
	6	WARRANTY POLICY

## PAGE NUMBER

Each section in the manual is numbered separately from the rest of the manual. The model number, page number, and revision of the manual are located on the lower center of the page in the footer.

## LOCATING MATERIAL IN THIS MANUAL

Go to the section that contains the information required. Each section has a detailed table of contents on the first page. Find the specific subject and page in the table of contents.



## HOW TO USE THIS ILLUSTRATED PARTS CATALOG

This Illustrated Parts Catalog has been prepared as a detailed parts guide for the Wausau Equipment Company, Model AT Plow. The information in this manual is presented two-fold, maintenance information listed first followed by parts illustration.

The item numbers on the illustration are keyed to each accompanying parts list on the engineering drawing. The purpose of the item numbers is to provide complete identification, but should not be used for procurement purposes.

### NOTES:

Do not use damaged or broken parts. Use only authorized parts and components.

Do not use unapproved lubricants/fluids.

Use at a minimum, Grade 8 attaching hardware except where noted. For installation safety, substitution of lower grade hardware is NOT recommended or approved.

If a component is damaged, make repairs immediately. Do not continue to operate machine.

**Table 3. Torque Specification Chart**

SAE Grade 8 Bolts			
Course Thread	Max. Torque Dry (lbs-ft)	Fine Thread	Max. Torque Dry (lbs-ft)
5/16	25	5/16	25
3/8	45	3/8	50
7/16	70	7/16	80
1/2	110	1/2	120
9/16	150	9/16	170
5/8	220	5/8	240
3/4	380	3/4	420
7/8	600	7/8	660
1.00	900	1.00	1,000
1-1/8	1,280	1-1/8	1,440
1-1/4	1,820	1-1/4	2,000
1-3/8	2,380	1-3/8	2,720
1-1/2	3,160	1-1/2	3,560

### BOLT HEAD IDENTIFICATION



This manual uses the indented parts structure. In the descriptive column, the relationship of items covered is shown by the degree of indentation of each item. In the example below, the reversing frame assembly is listed with one indentation. The reversing frame weldment, A-frame weldment, and hydraulic cylinder are indented under the reversing frame assembly to indicate that these are sub components of the reversing frame assembly. Ordering the reversing frame assembly would automatically include the reversing frame weldment, A-frame weldment, and hydraulic cylinder. Components listed with the same indentation must be ordered separately.

Item	Part Number	Description	Qty	Notes
	2A-12548	PUSH/REVERSE FRAME ASSEMBLY	1	
1	2W-14342	• REVERSING FRAME WELDMENT	1	
2	2W-14315	• A-FRAME WELDMENT	1	
3	9C-09962	• HYD CYLINDER DA 3 x 10	2	

- **Item** – Identifies part from illustration
- **Part Number** – Part number to be used for procurement
- **Description** – Part name and relationship to assembly
- **Quantity** – Gives quantity required for assembly (see notes about attaching hardware)
- **Notes** – Directs user to additional information when ordering

There are three distinct types of figure designations in this manual: *Installations* identify assemblies and components related by application such as attaching hardware. These items must be individually ordered; there is no single part number that includes all parts shown. *Assemblies* are part listings that are inclusive of all parts described. When the main assembly is ordered, the sub components are included as part of the order. The third type of figure is a *Listing* that contains similar but unrelated parts. Each part must be ordered separately.

NOTE: If a component is damaged, make repairs immediately. Do not continue to operate machine.

## ACRONYMS AND ABBREVIATIONS

The following is a list of terms and abbreviations that may appear in description and drawing nomenclature.

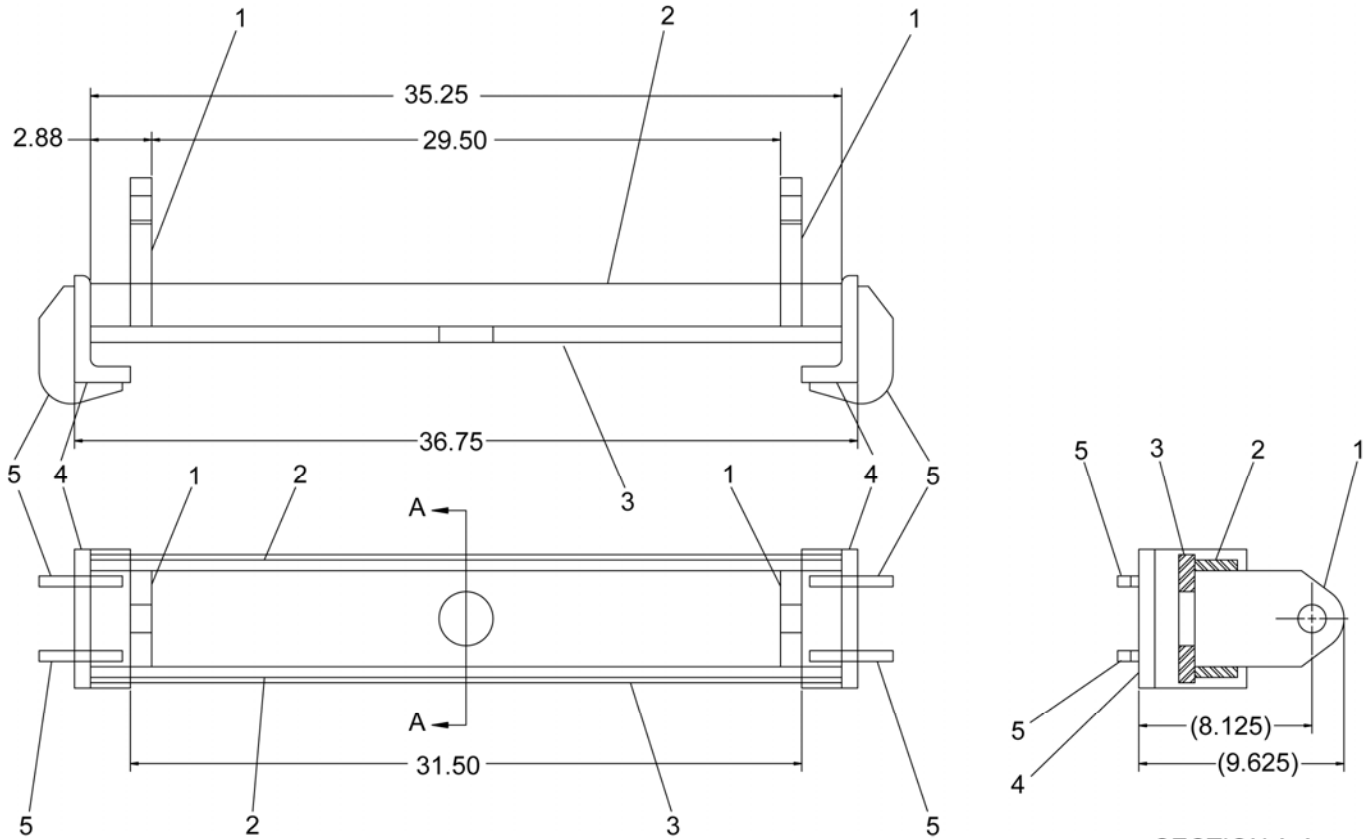
AC	Alternating Current
AR	As Required
ALT	Alternate
AMP	Ampere
ASSY or ASSM	Assembly
AUX	Auxiliary
AWG	American Wire Gauge
CM	Centimeter
CYL	Cylinder
DA	Double Action
DC	Direct Current
DIA	Diameter
EA	Each
FHMS	Flat Head Machine Screw
FLG HD	Flange Head
GA	Gage
GND	Ground (electrical)
GPM	Gallons Per Minute
HHCS	Hex Head Cap Screw
HHMS	Hex Head Machine Screw
HYD	Hydraulic
ID	Inside Diameter
KG	Kilograms
LG	Long
LH	Left Hand
MAX	Maximum
MISC	Miscellaneous
MM	Millimeter
NP	Non Procurable
NPT	National Pipe Thread
OBS	Obsolete
OD	Outside Diameter
OEM	Original Equipment Manufacturer
PHMS	Pan Head Machine Screw
PLCS	Places
POLY	Polyethylene
PSI	Pounds per Square Inch
PSIA	Pounds per Square Inch Absolute
PSIG	Pounds per Square Inch Gauge
QTY	Quantity
RH	Right Hand
RPM	Revolutions Per Minute
SA	Single Action



SHCS	Socket Head Cap Screw
SHSS	Socket Head Set Screw
TYP	Typical
WELD'T or WLDMT	Weldment

## 5.1 Hitches, Plow Half

### 5.1.1 Pin On Hitch, Plow Half



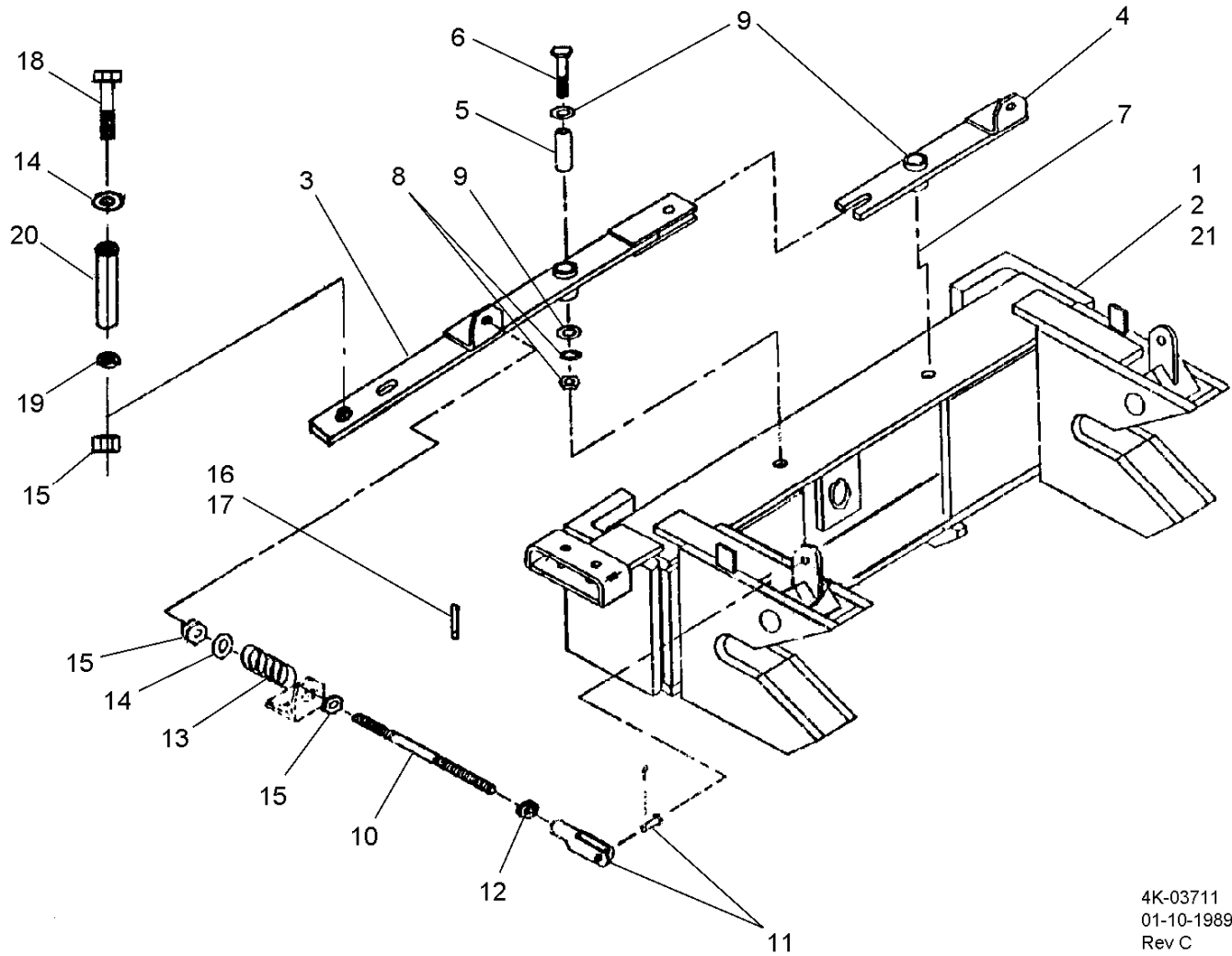
SECTION A-A

2W-10174  
01-19-1994  
Rev C

Item	Part Number	Description	Qty	Notes
	2W-10174	OSCILLATING WELDMENT	1	
1	2P-10172	• EAR, DRIVE, EXTENDED	2	
2	8P-00035-049	• FLAT, 1/2 x 2 x 35 3/16 LG	2	
3	2P-09593	• PLATE, OSCILLATING	1	
4	2P-09614	• ANGLE, KEEPER	2	
5	2P-09965	• GUSSET, OSCILLATING BEAM	4	

5.1.2 TQC Hitch, Plow Half

Figure 3. TQC Hitch, Plow Half

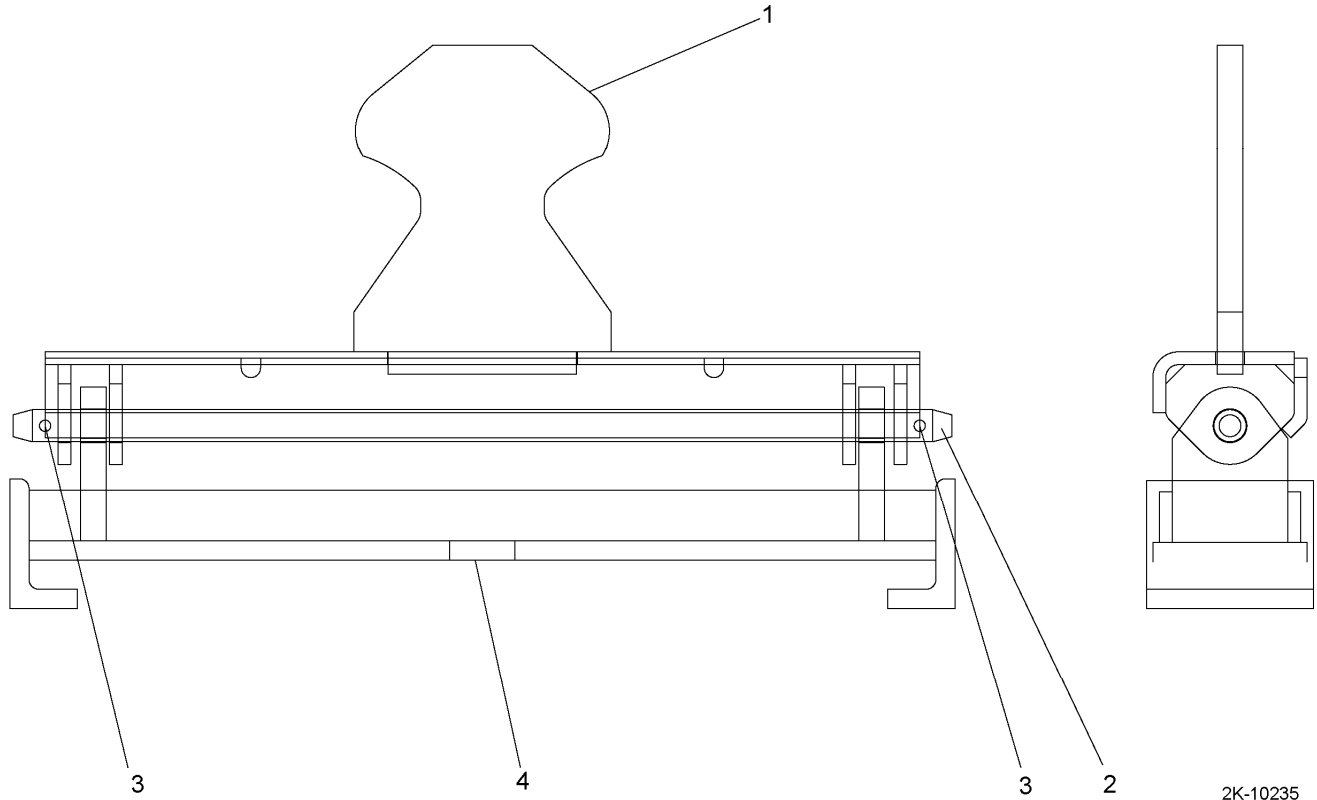


4K-03711  
01-10-1989  
Rev C

Item	Part Number	Description	Qty	Notes
	4K-03711-03	TQC PLOW HALF HITCH ASSEMBLY	1	
1	—	—	—	
2	—	—	—	
3	4W-03704	• LEVER WELDMENT	1	
4	4W-03705	• LEVER WELDMENT	1	
5	4P-03696-001	• TUBE 1" OD x 5/32 x 1 7/8 LG	2	
6	9C-00268	• HHCS, 5/8 NC x 3 1/2 LG	2	
7	9C-00096	• HEX NUT, 5/8 NC	2	
8	9C-00139	• LOCKWASHER, 5/8	2	
9	9C-04247	• FLAT WASHER, 5/8	4	
10	4P-03701	• SPRING ROD	2	
11	9C-04237	• YOKE END, 1/2 STD WITH PIN	2	
12	9C-00115	• HEX NUT, 1/2 NF	2	
13	9C-04437	• COMPRESSION SPRING	2	
14	9C-00159	• FLAT WASHER, 1/2	3	
15	9C-00094	• HEX NUT, 1/2 NC	5	
16	9C-04438	• CLEVIS PIN 1/2 DIA x 2 LG	1	
17	7P-00541	• HAIR PIN COTTER	1	
18	9C-00253	• HHCS, 1/2 NC x 6 LG	1	
19	9C-00137	• LOCKWASHER, 1/2	1	
20	8P-00585-007	• PIPE, 1/2 x 4 1/2 LG	1	
21	4W-04659	• MODIFICATION PLOW HALF HITCH	1	

### 5.1.3 Tor-Lok, Pin on Style w/Standard Oscillating Beam

Figure 4. Tor-Lok, Pin on Style w/Standard Oscillating Beam



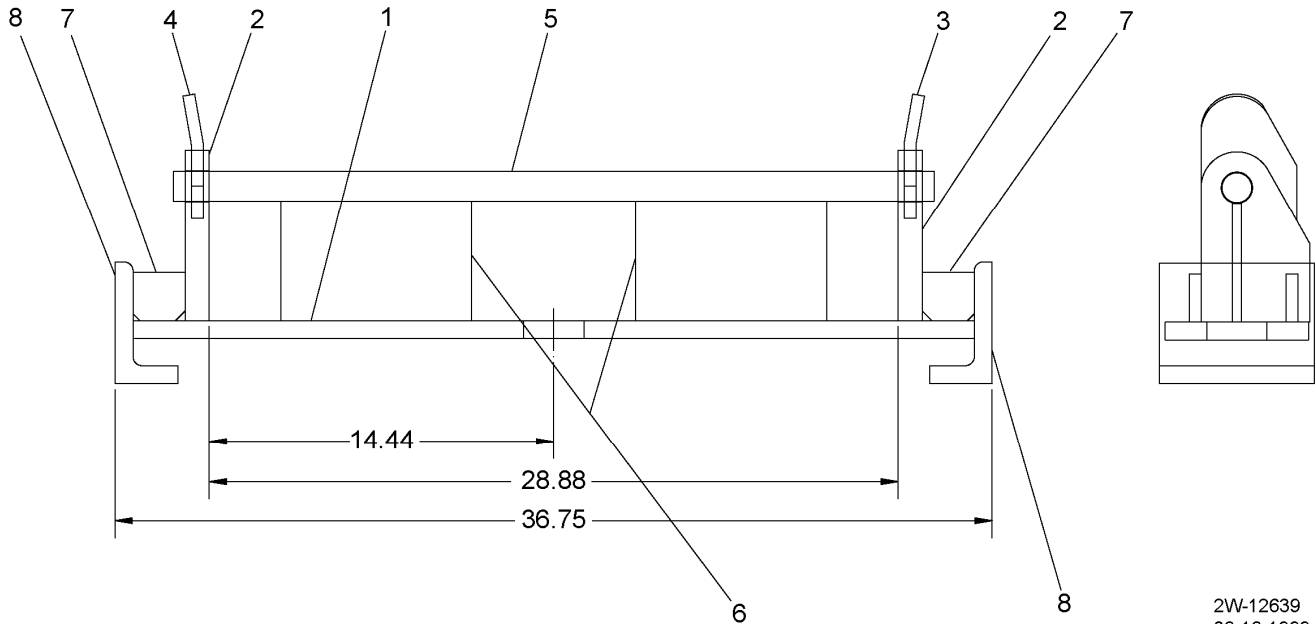
2K-10235  
03-21-1994  
Rev A

Item	Part Number	Description	Qty	Notes
	2K-10235	TOR-LOK DRIVE BAR KIT	1	
1	2W-10224	• TORLOK DRIVE BAR (PIN-ON)	1	
2	2P-10227	• DRIVE PIN	1	
3	9C-00588	• COTTER PIN, 3/8 x 3 LG	2	
4	2W-09886	• OSCILLATOR WELDMENT	—	



### 5.1.4 Flink Oscillating Weldment

Figure 5. Flink Oscillating Weldment

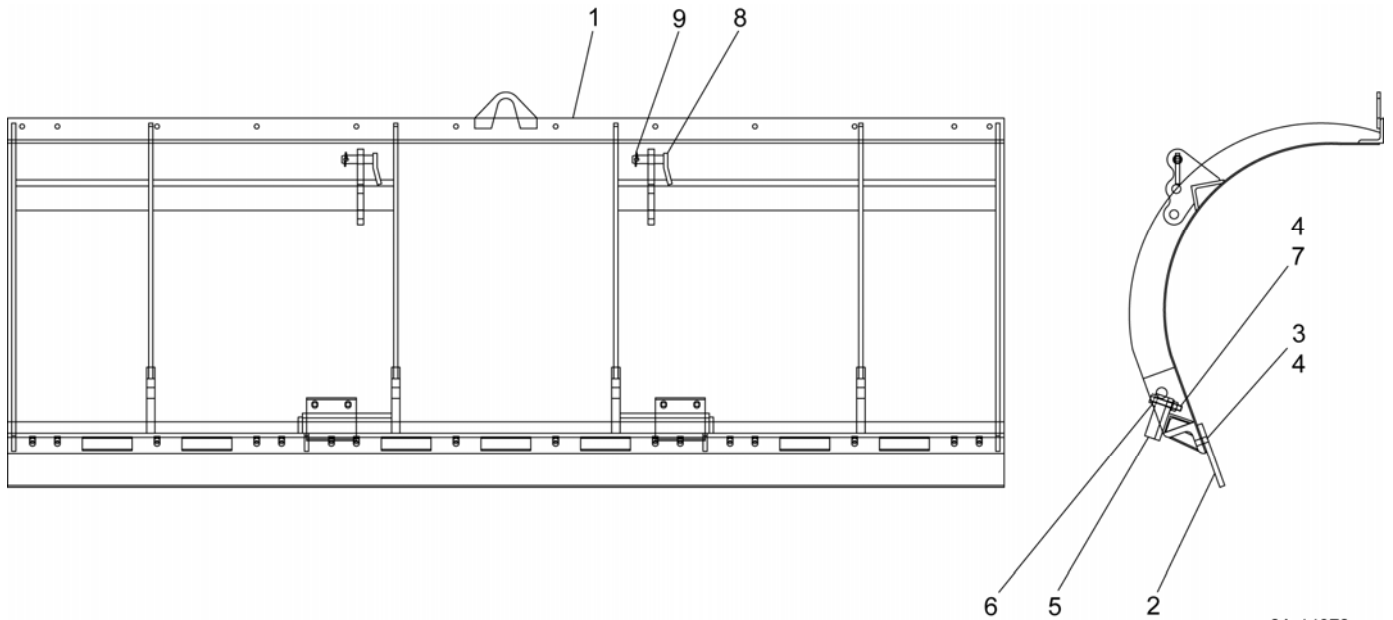


2W-12639  
08-18-1999  
Rev B

Item	Part Number	Description	Qty	Notes
	2W-12639	FLINK OSCILLATING WELDMENT	1	
1	2P-09593	• PLATE, OSCILLATING	1	
2	2P-08969-01	• EAR	2	
3	2P-08970	• EAR, LH	1	
4	2P-08971	• EAR, RH	1	
5	2P-08972	• ROUND BAR	1	
6	2P-08973	• FLAT BAR	2	
7	2P-12640	• PLATE	4	
8	2P-09614	• ANGLE, KEEPER	2	

## 5.2 Moldboard Assemblies

Figure 6. Moldboard Assemblies



2A-14372  
08-06-2002  
Rev -

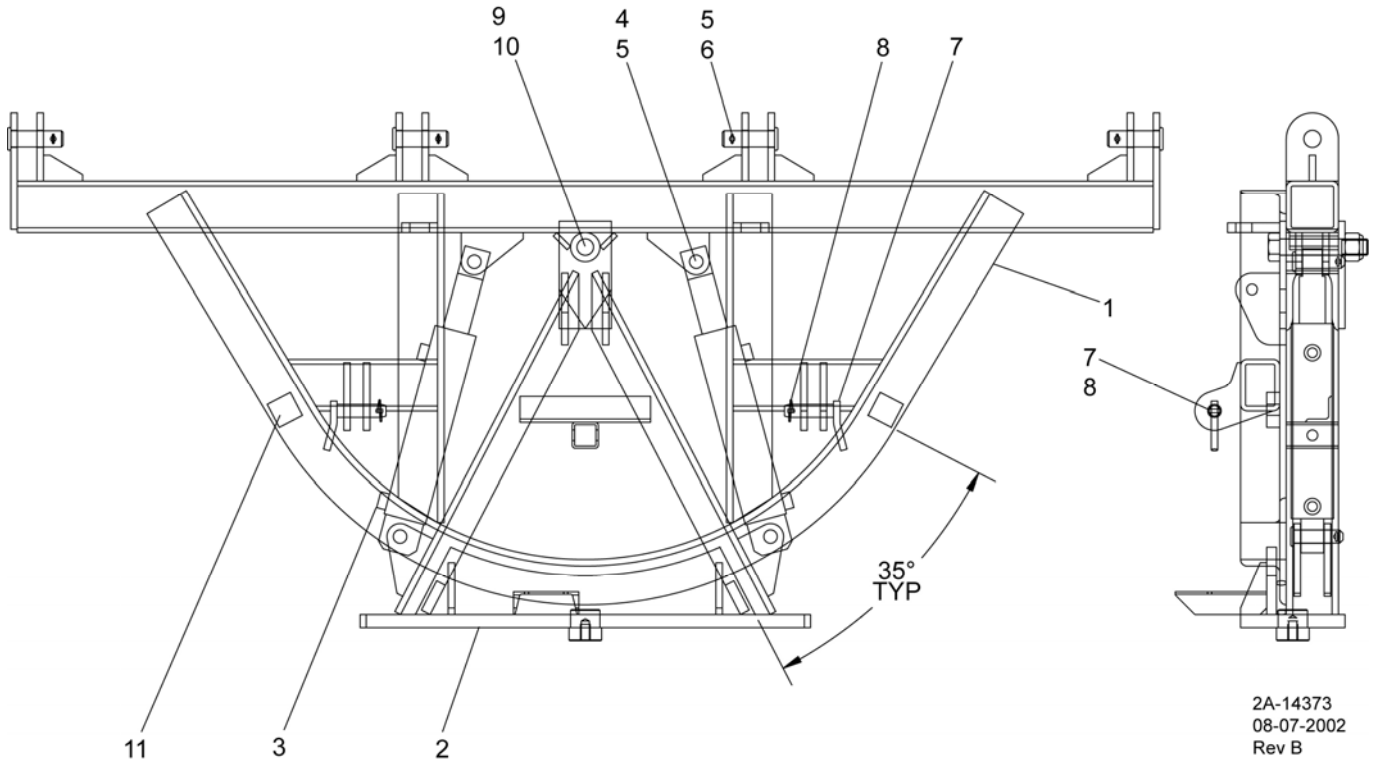
Item	Part Number	Description	Qty	Notes
	2A-14372	MOLDBOARD ASSEMBLY, AT4210	1	
	2A-14385	MOLDBOARD ASSEMBLY, AT4211		
	2A-14386	MOLDBOARD ASSEMBLY, AT4212		
1	2W-14331	• MOLDBOARD WELDMENT, 10FT	1	
	2W-14375	• MOLDBOARD WELDMENT, 11FT		
	2W-14376	• MOLDBOARD WELDMENT, 12FT		
2	2P-01293-02	• CUTTING EDGE, 5/8 x 8, 10FT	1	
	2P-01298-02	• CUTTING EDGE, 5/8 x 8, 11FT		
	2P-01420-02	• CUTTING EDGE, 5/8 x 8, 12FT		
3	9C-01198	• CARRIAGE BOLT, 5/8-11 x 2 1/2 LG	AR	
4	9C-00645	• NYLOCK NUT, 5/8-11 UNC	AR	
5	2P-14370	• BUMPER	2	
6	2P-14367	• CAMP BAR	2	
7	9C-00267	• HHCS, 5/8-11 x 3 1/4" LG	4	
8	4W-05868	• PIN, WELDMENT 1"	2	
9	9C-02590	• HINGE PIN, 1/4"	2	

### 5.2.1 Rubber Deflectors

Item	Part Number	Description	Qty	Notes
	2K-06213-001	RUBBER DEFLECTOR, 10FT		
	2P-06214-001	• RUBBER WITH HOLES, 10FT	1	
	2P-06215-001	• CLAMP STRIP, 10FT	1	
	9C-00239	• HHCS, 1/2 NC x 1 3/4 LG	12	
	9C-00094	• HEX NUT, 1/2 NC	12	
	9C-00137	• LOCKWASHER, 1/2	12	
	2K-06213-002	RUBBER DEFLECTOR, 12FT		
	2P-06214-002	• RUBBER WITH HOLES, 12FT	1	
	2P-06215-002	• CLAMP STRIP, 12FT	1	
	9C-00239	• HHCS, 1/2 NC x 1 3/4 LG	14	
	9C-00094	• HEX NUT, 1/2 NC	14	
	9C-00137	• LOCKWASHER, 1/2	14	
	2K-06213-003	RUBBER DEFLECTOR, 11FT		
	2P-06227	• RUBBER WITH HOLES, 11FT		
	2P-06228	• CLAMP STRIP, 11FT		
	9C-00239	• HHCS, 1/2 NC x 1 3/4 LG	14	
	9C-00094	• HEX NUT, 1/2 NC	14	
	9C-00137	• LOCKWASHER, 1/2	14	

### 5.3 Push/Reversing Frame

Figure 7. Push/Reversing Frame



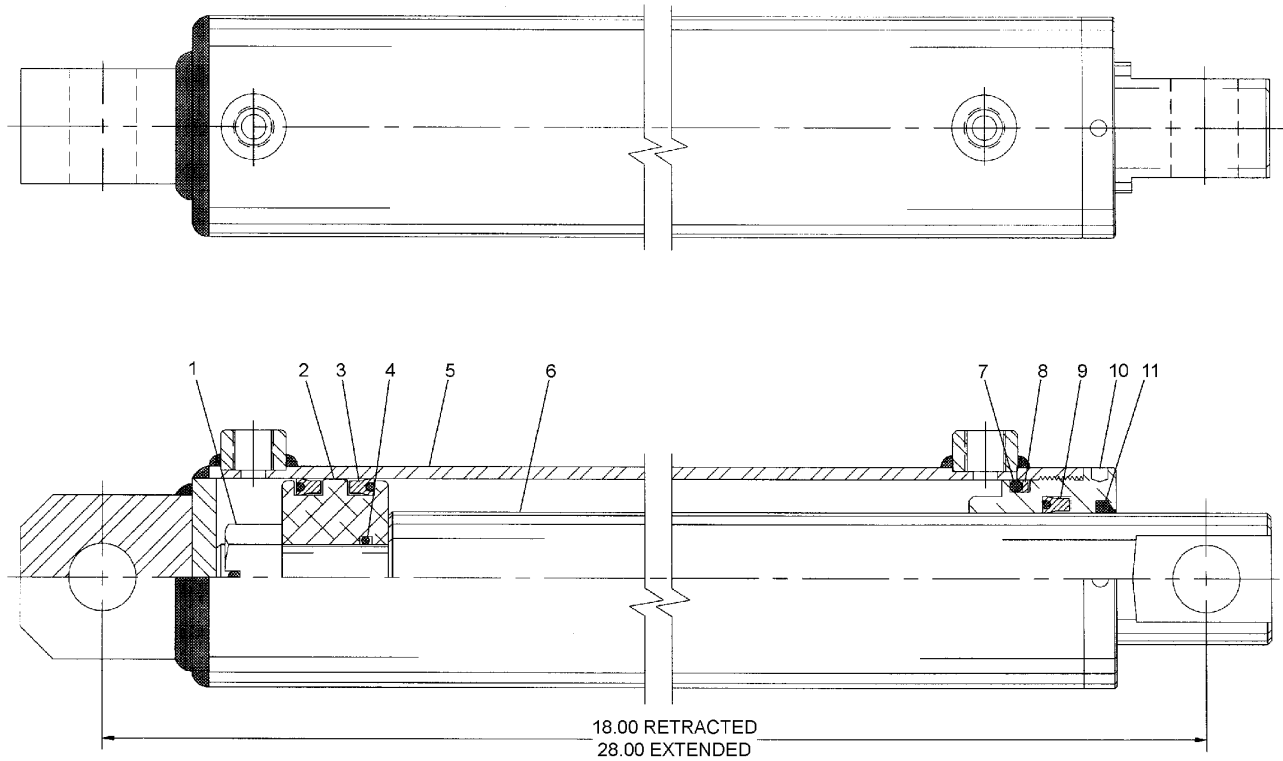
Item	Part Number	Description	Qty	Notes
	2A-12548	PUSH/REVERSE FRAME ASSEMBLY	1	
1	2W-14342	• REVERSING FRAME WELDMENT	1	
2	2W-14315	• A-FRAME WELDMENT	1	
3	9C-09962	• HYD CYLINDER, DA 3 x 10	2	1.
4	2P-06707-006	• PIN, 1" x 3 3/4 LG	4	
5	9C-00587	• PIN, COTTER 3/8" x 2 1/2 LG	8	
6	2P-05443	• PIN, 1-1/4" x 4 1/2 LG	4	
7	4W-05868	• PIN, WELDMENT 1"	2	
8	9C-02590	• HINGE PIN, 1/4"	2	
9	2P-14374	• HHCS, SPECIAL	1	
10	9C-00652	• NUT, ELASTIC STOP 1 1/4 NC	1	
11	4P-04535-004	• STOP	2	

NOTE:

1. See Figure 8 on Page 20 for parts breakdown.

## 5.4 Hydraulic Cylinder

Figure 8. Hydraulic Cylinder. DA

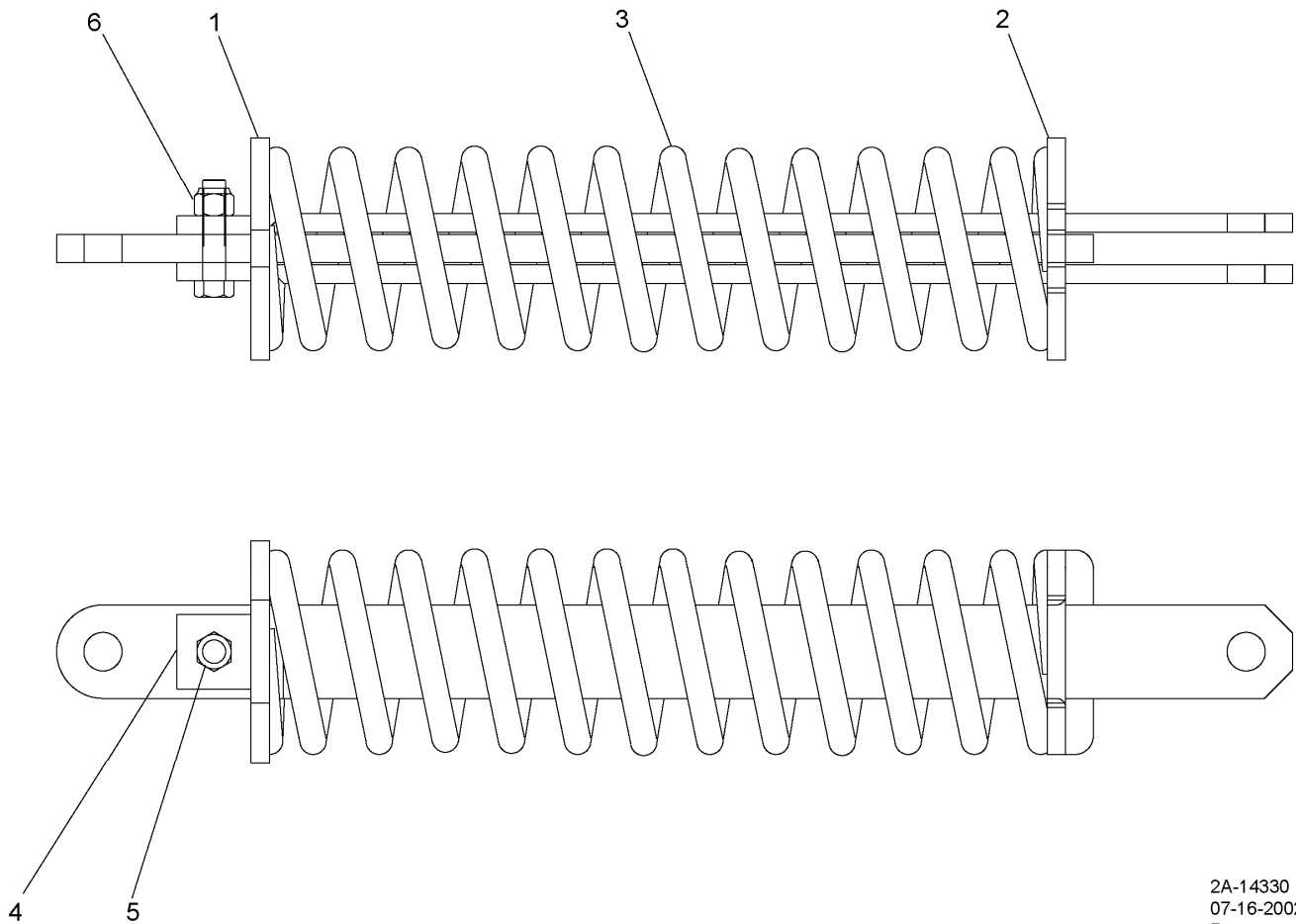


9C-09962  
08-01-2002  
Rev -

Item	Part Number	Description	Qty	Notes
	9C-09962	HYDRAULIC CYLINDER, DA 3 x 10	1	
1	23103	• SLOTTED NUT	1	
2	22306	• PISTON (ALUMINUM)	1	
3	21250	• POLYPAK	2	
4	18214	• O RING	1	
5		• JACKET ASSEMBLY	1	
6		• PISTON ROD	1	
7	18334	• O RING	1	
8	39334	• BACKUP WASHER	1	
9	21204	• POLYPAK, TYPE B	1	
10	13642	• GLAND NUT	1	
11	12200	• ROD WIPER	1	

## 5.5 Trip Spring Assembly

Figure 9. Trip Spring Assembly

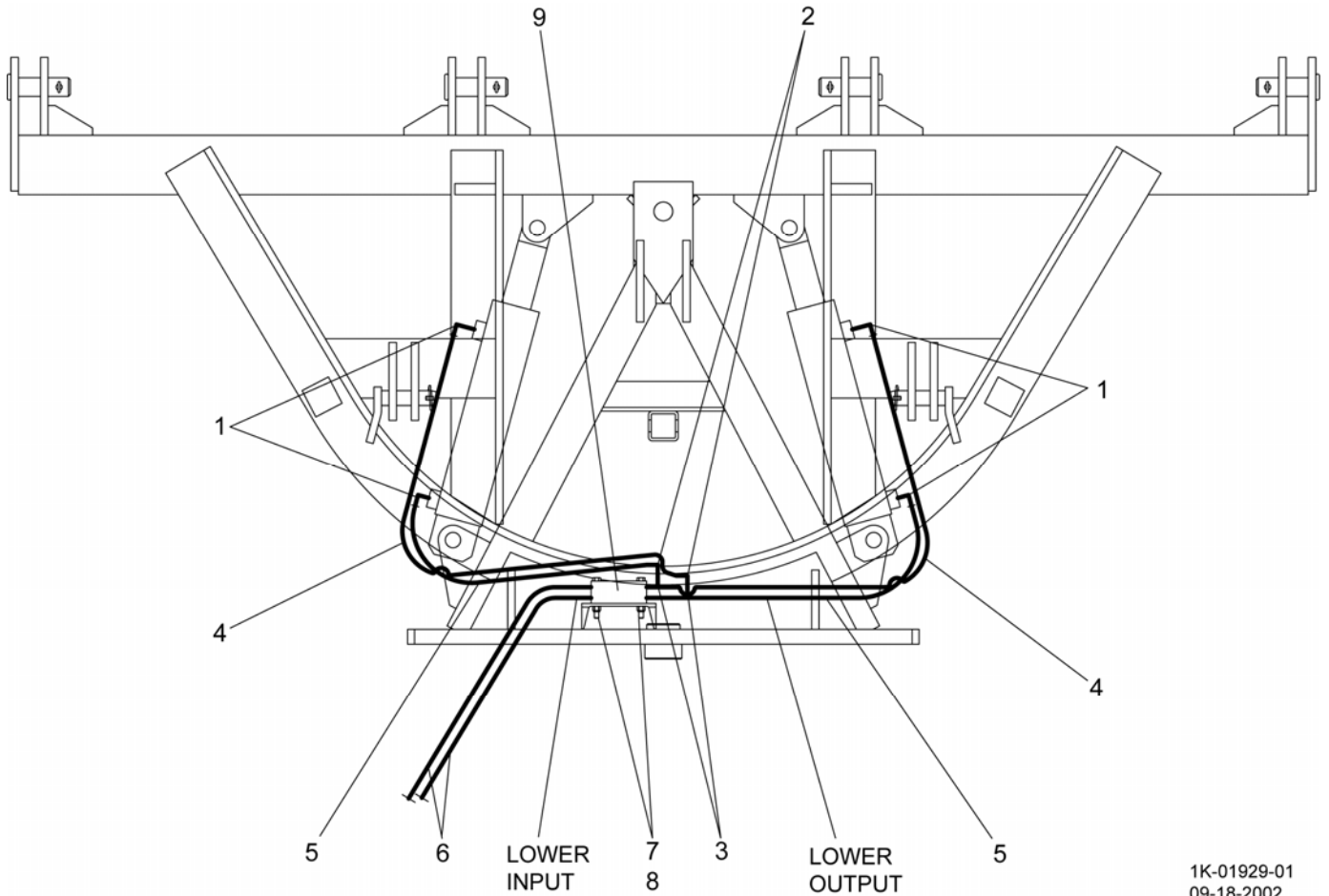


2A-14330  
07-16-2002  
Rev -

Item	Part Number	Description	Qty	Notes
	2A-14330	COMPRESSION TRIP SPRING ASSEMBLY	1	
1	2W-14328	• COMPRESSING DEVICE	1	
2	2W-14325	• STOP DEVICE	1	
3	9C-09956	• SPRING, 5 1/2 DIA x 23 1/4 LG	1	
4	2P-14318	• SPACER	2	
5	9C-02052	• HHCS, 5/8 NC x 2 1/2 LG	1	
6	9C-00645	• NUT, ELASTIC STOP, 5/8 NC	1	

## 5.6 Hydraulic Line Kit

Figure 10. Hydraulic Line Kit

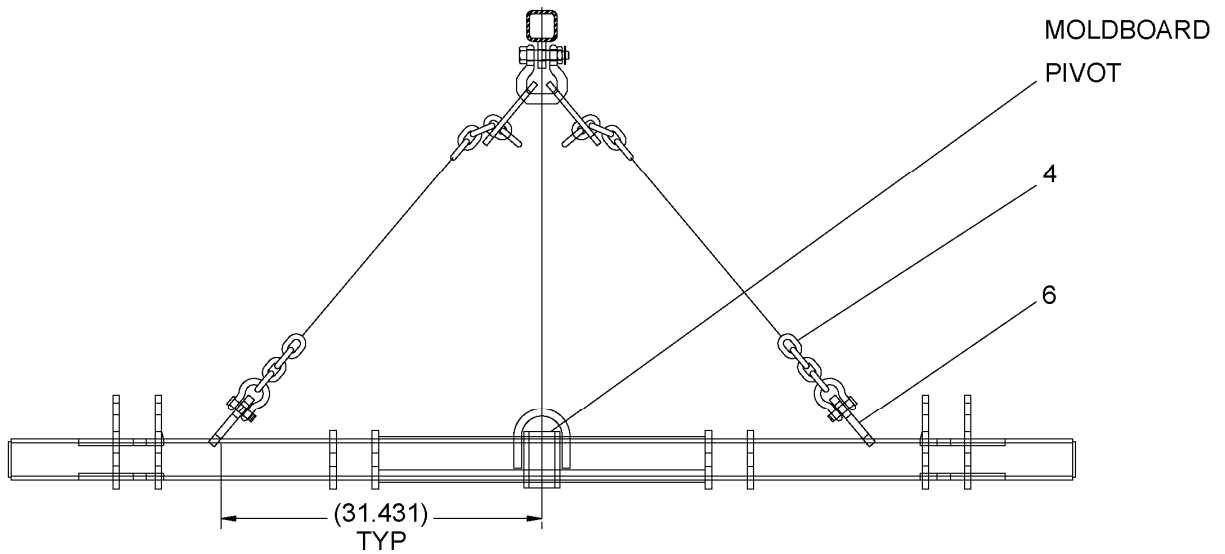
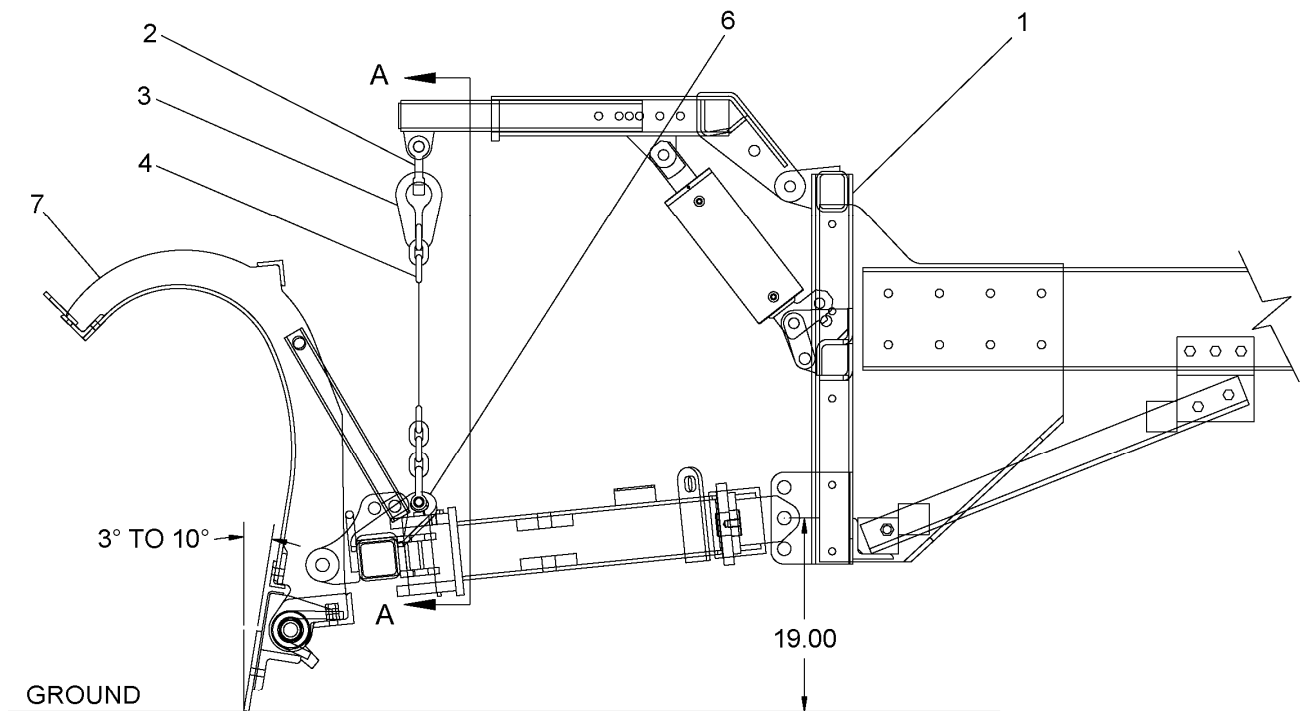


1K-01929-01  
09-18-2002  
Rev A

Item	Part Number	Description	Qty	Notes
	1K-01929-01	HYDRAULIC LINE KIT	1	
1	9C-02654-11	• ELBOW, 90 DEG 3/8 NPT x 1/2 JIC	4	
2	9C-02710-05	• ELBOW, 90 DEG 1/2 NPT x 1/2 F. NPT	2	
3	9C-02714-04	• TEE, MALE RUN 1/2 NPT	2	
4	9C-09973-002	• HOSE ASSEMBLY, 3/8" x 37-1/2"	2	
5	9C-09973-001	• HOSE ASSEMBLY, 3/8" x 24"	2	
6	9C-09248-001	• HOSE ASSEMBLY, 1/2" x 60"	2	
7	9C-00198	• HHCS, 5/16 NC x 2 1/2 LG	2	
8	9C-00640	• NUT, ELASTIC STOP, 5/16 NC	2	
9	9C-01888-012	• CUSHION VALVE, 2,000 PSI	1	

5.7 Level Lift Kit, 2-Chain

Figure 11. Level Lift Kit, 2-Chain



SECTION A-A

4K-06172  
06-21-1999  
Rev B

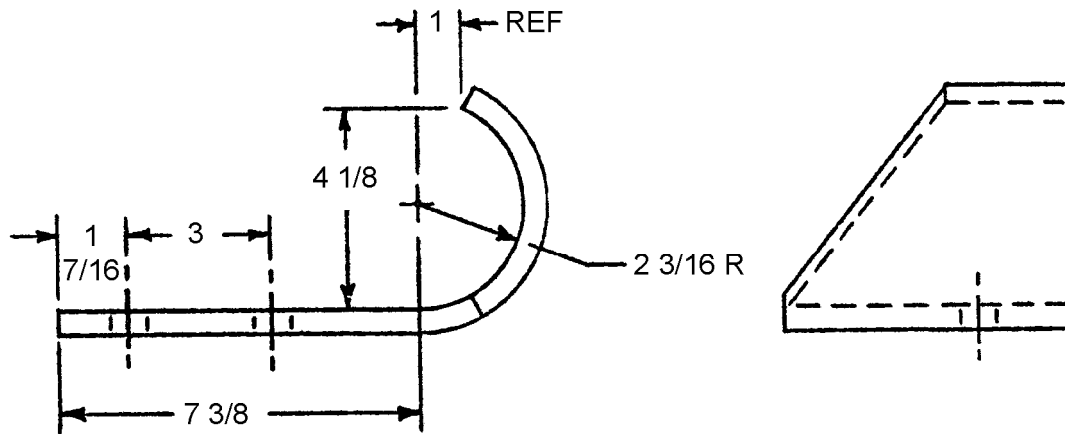




Item	Part Number	Description	Qty	Notes
	4K-06172	LEVEL LIFT KIT, 2-CHAIN	1	
1	REF	<ul style="list-style-type: none"> <li>• 225C HITCH</li> </ul>	—	
2	9C-08376	<ul style="list-style-type: none"> <li>• 2" SAFTEY PIN WEB SHACKLE</li> </ul>	1	
3	P-24004	<ul style="list-style-type: none"> <li>• GRAB LINK</li> </ul>	2	
4	2W-12330	<ul style="list-style-type: none"> <li>• LIFT CHAIN WELDMENT</li> </ul>	2	
5	—	<ul style="list-style-type: none"> <li>• —</li> </ul>	—	
6	4K-06173	<ul style="list-style-type: none"> <li>• MODIFICATION KIT, CHAIN LEVEL LIFT</li> </ul>	—	
7	REF	<ul style="list-style-type: none"> <li>• HOME SAFE PLOW</li> </ul>	—	

## 5.8 Curb Shoes

Figure 12. Curb Shoe



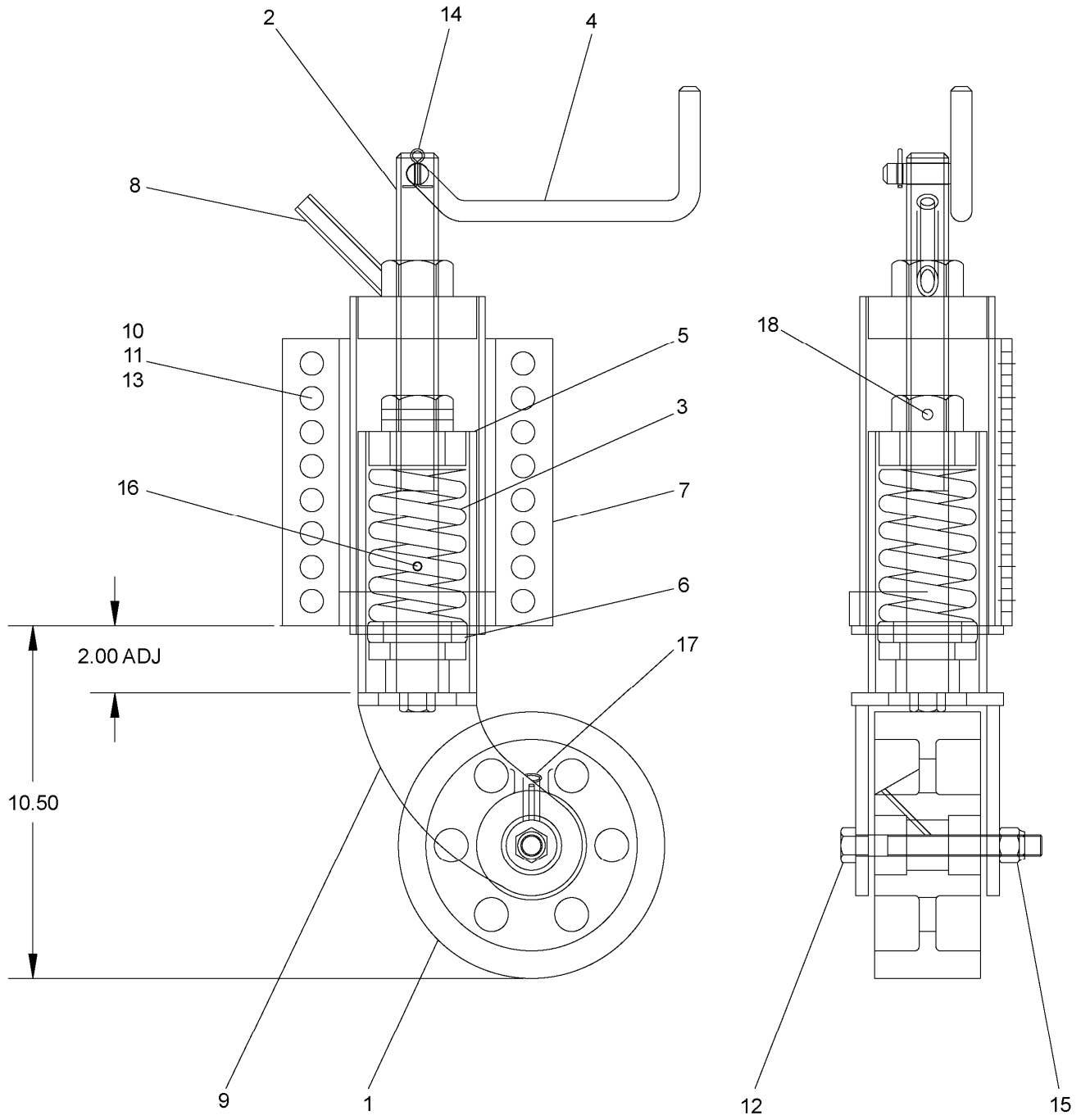
FORMED VIEW - RH SHOWN

9C-02787  
02-03-1983  
Rev-

Item	Part Number	Description	Qty	Notes
	9C-02787	CURB SHOE, RH	1	
	9C-02788	CURB SHOE, LH	1	

5.9 Caster Wheel

Figure 13. Caster Wheel

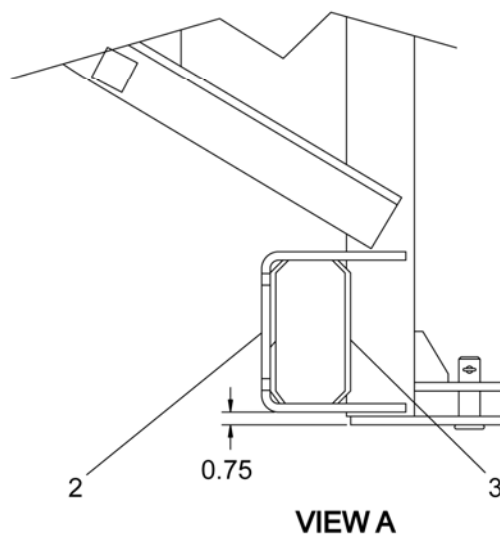
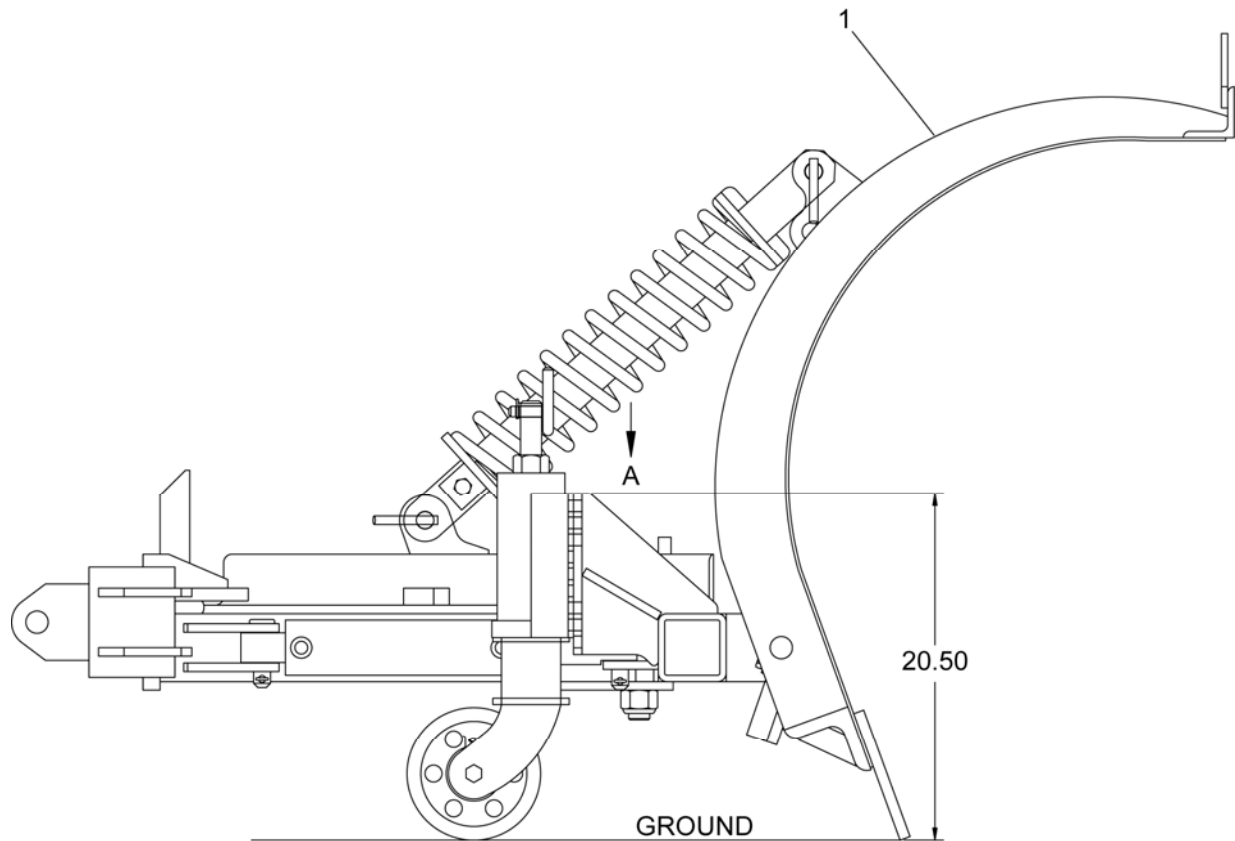


2A-00267  
03-22-1967  
Rev E

Item	Part Number	Description	Qty	Notes
	2A-00267	8" CASTER WHEEL ASSEMBLY	2	
1	2A-00236	• 8" CASTER WHEEL ASSEMBLY	1	
2	2A-00268-002	• ADJUSTING SCREW	1	
3	2P-00259	• SPRING	1	
4	2P-00261	• SCREW HANDLE	1	
5	2P-00265	• SPACER	1	
6	2P-00266	• THRUST BEARING	1	
7	2W-00254	• OUTER TUBE WELDMENT	1	
8	2W-00257	• LOCK NUT WELDMENT	1	
9	2W-00263	• INNER TUBE WELDMENT	1	
10	9C-00117	• HEX NUT, 5/8NF	4	
11	9C-00139	• LOCK WASHER, 5/8	4	
12	9C-00294	• HHCS, 3/4 NC x 5 1/2 LG	1	
13	9C-00451	• HHCS, 5/8 NF x 2 1/4 LG	4	
14	9C-00562	• PIN COTTER, 1/8 x 1 1/2 LG	1	
15	9C-00647	• NUT, ELASTIC STOP 3/4 NC	1	
16	9C-01085	• GREASE FITTING, 1/4-28	1	
17	9C-01086	• GREASE FITTING, 1/8 NPT	1	
18	9C-01167	• ROLL PIN, 5/16 x 2 LG	1	

### 5.9.1 Caster Wheel/Mushroom Shoe Mounting Kit

Figure 14. Caster Wheel/Mushroom Shoe Mounting Kit



2K-14590  
03-20-2003  
Rev A



Item	Part Number	Description	Qty	Notes
	2K-14590	CASTER WHEEL MOUNTING KIT	1	
1	REF	<ul style="list-style-type: none"><li>• PLOW</li></ul>	—	
2	2P-14588	<ul style="list-style-type: none"><li>• MOUNTING BRACKET</li></ul>	2	
3	2P-14589	<ul style="list-style-type: none"><li>• STIFFENER</li></ul>	2	

## **6. WARRANTY POLICY**

### **6.1 Section 1 - Definition of Warranty Policy**

Wausau Equipment Company, Inc. warrants its products to be free of defects in material and workmanship under normal use and service for a period of one (1) year from the date of final acceptance.

### **6.2 Section 2 - Coverage**

This warranty covers all products sold by Wausau Equipment Company, Inc.

### **6.3 Section 3 – Obligations of Wausau Equipment Company, Inc.**

Wausau Equipment Company's obligation under this warranty is limited to repairing and replacing, at Wausau Equipment Company's option, any parts, which prove defective. This warranty does not cover travel time, mileage, out-of-pocket expenses, or other related expenses to repair Wausau Equipment Company's products unless approved in writing. The warranty also does not cover "premium time" incurred by the customer.

This warranty does not apply to any product, which has been subjected to misuse, negligence, or operation not in accordance with written operating instructions.

Wausau Equipment Company accepts no responsibility for unauthorized repairs or modifications. All modifications must be approved in writing by our Service or Engineering departments during the warranty period.

### **6.4 Section 4 - Procedures for Filing Warranty Claims**

The following procedures for filing a warranty claim must be followed exactly, or the warranty claim will be deemed void.

- A. Any claim for parts and labor exceeding \$500.00 will require an ADVANCE WARRANTY AUTHORIZATION NUMBER, to be assigned by Wausau Equipment Company's Service department. This number, along with Wausau Equipment Company's authorization will be documented on the ADVANCE WARRANTY AUTHORIZATION FORM. A copy of this form will be forwarded to the customer and will serve as a limited agreement until a warranty claim has been filed, approved and processed. Wausau Equipment Company, Inc. accepts no responsibility and will not make reimbursements for repairs made prior to the claimant's receipt of this form.
- B. The ADVANCE WARRANTY AUTHORIZATION FORM will also specify a maximum dollar limit for authorized parts and labor. Wausau Equipment Company accepts no responsibility and will not make reimbursements for repairs, which exceed the maximum authorized dollar limit on this form.
- C. All warranty claims must be submitted to Wausau Equipment Company, Inc. on Wausau Equipment Company's standard WARRANTY CLAIM FORM. Wausau Equipment Company accepts no responsibility and will not make reimbursements for claims, which are not submitted on Wausau Equipment Company's standard form. Claim forms which are incomplete will not be processed.

Warranty Continued:

- D. All claims for warranty must be received by us within 30 days of completion of work or authorization. Claims made later than 30 days after warranty expiration will not be honored. Wausau Equipment Company, Inc. will process warranty claims within 30 days after receipt of Wausau Equipment Company's standard WARRANTY CLAIM FORM, or within five (5) working days after Wausau Equipment Company has been reimbursed from a third party vendor, if applicable, whichever is later.
- E. WARRANTY CLAIM FORMS SUBMITTED WILL BE REVIEWED BY WAUSAU EQUIPMENT COMPANY'S SERVICE DEPARTMENT. UPON AUTHORIZATION OF THE WARRANTY CLAIM FORM BY WAUSAU EQUIPMENT COMPANY'S SERVICE DEPARTMENT, A CREDIT MEMO WILL BE ISSUED AND APPLIED AGAINST CURRENT OUTSTANDING INVOICES OR, IF THERE ARE NO CURRENT OUTSTANDING INVOICES, A CHECK WILL BE ISSUED FOR THE APPROVED WARRANTY CLAIM.

A WARRANTY CLAIM SUBMITTED TO WAUSAU EQUIPMENT COMPANY WITHIN THE REQUIRED TIME FRAME IS AN APPLICATION FOR WARRANTY REIMBURSEMENT. A PENDING POTENTIAL WARRANTY CLAIM DOES NOT, UNDER ANY CIRCUMSTANCES, PRECLUDE PAYMENT OF THE INVOICE IN FULL WHEN DUE. ANY WARRANTY CLAIM DEDUCTED FROM A PAYMENT PRIOR TO THE ISSUANCE OF A CREDIT MEMO WILL DEEM THE WARRANTY CLAIM VOID, AND FULL PAYMENT WILL BE DEMANDED.

IF ANY PORTION OF A CUSTOMER'S ACCOUNT BALANCE IS PAST DUE, WARRANTY CLAIMS WILL NOT BE HONORED, NOR SHALL THE CUSTOMER RECEIVE SERVICE OR SUPPORT OF ANY KIND UNTIL ALL PAST DUE BALANCES HAVE BEEN PAID.

**6.5 Section 5 - Other**

At the discretion of Wausau Equipment Company, Inc., defective parts must be held for inspection by our field personnel, or shipped prepaid to Wausau Equipment Company in New Berlin, Wisconsin. Claims for parts must be accompanied by a copy of the original invoice. Any claims against Wausau Equipment Company for shipment shortages shall be deemed waived unless made in writing by the purchaser within ten (10) days of shipment from the factory. Such claims shall be submitted in suitable form and detail to enable Wausau Equipment Company to file a claim with the carrier, if appropriate. Wausau Equipment Company's responsibility of shipment ceases upon delivery to a carrier and any claims for delay or damages known to occur thereafter shall be made by the dealer/customer direct to the carrier.

THIS IS THE ONLY WARRANTY GIVEN WITH THE PURCHASE OF A WAUSAU EQUIPMENT COMPANY PRODUCT. ANY WARRANTIES IMPLIED BY LAW ARE LIMITED TO 12 MONTHS FROM THE DATE OF INITIAL OPERATION. WAUSAU EQUIPMENT COMPANY, INC. NEITHER ASSUMES NOR AUTHORIZES ANY OTHER PERSON TO ASSUME FOR THEM ANY OTHER LIABILITY IN CONNECTION WITH SUCH PRODUCTS. NO PAYMENT OR OTHER COMPENSATIONS WILL BE MADE FOR INDIRECT OR CONSEQUENTIAL DAMAGES SUCH AS DAMAGE OR INJURY TO PERSON OR PROPERTY OR LOSS OF REVENUE WHICH MIGHT BE PAID, OR OTHER COMMERCIAL LOSSES INCURRED DUE TO THE REPRESENTATION OF THIS WARRANTY, INCURRED OR SUSTAINED BY REASON OF THE FAILURE OF ANY PART OF ASSEMBLY WHICH MIGHT BE REPAIRED OR REPLACED IN ACCORDANCE WITH THE TERMS OF THIS WARRANTY. FURTHERMORE, THERE ARE NO OTHER WARRANTIES EXPRESSED OR IMPLIED OR OF MERCHANTABILITY OR FITNESS FOR ANY PARTICULAR PURPOSES AND OF ANY NON-CONTRACTUAL LIABILITIES, INCLUDING PRODUCT LIABILITIES BASED UPON NEGLIGENCE OR STRICT LIABILITY.