



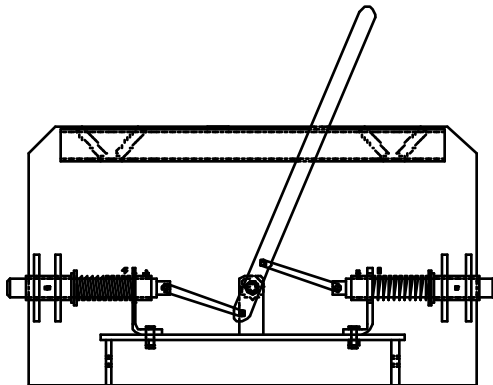
# HITCHES

KEEPING AHEAD OF THE CUTTING EDGE™

## MODEL "SQH" QUICK HITCH



- No obstruction on front of truck when plow is removed. (Lift cylinder stays with plow.)
- Level lift at all times.
- Provides maximum ground clearance in raised position.
- Brings plow closer to front axle for better weight distribution
- Does not interfere with tilt hoods.
- Secure 4-point hook-up
- Pushing force from center of chassis
- Easy installation
- In use for over 30 years



Optional latch mechanism allows plow to be removed without use of tools.



Wausau Equipment Company, Inc.  
1905 South Moorland Road  
New Berlin, WI 53151-2321  
U.S.A.

800-788-6066 – 262-784-6066  
262-784-6720 - fax  
[www.wausau-everest.com](http://www.wausau-everest.com)  
ISO 9001:2000 Certified

**WAUSAU • EVEREST**  
HEAVY-DUTY SNOW & ICE CONTROL



Wausau-Everest L.P. reserves the right to change products and specifications without notice.  
FRINK-AMERICA is a registered trading style of Everest Equipment Co.

Visit us at [www.wausau-everest.com](http://www.wausau-everest.com)

Everest Equipment Company  
1077 Westmount  
Ayer's Cliff, Quebec J0B 1C0  
CANADA

819-838-4257  
819-838-5653 – fax  
[www.wausau-everest.com](http://www.wausau-everest.com)